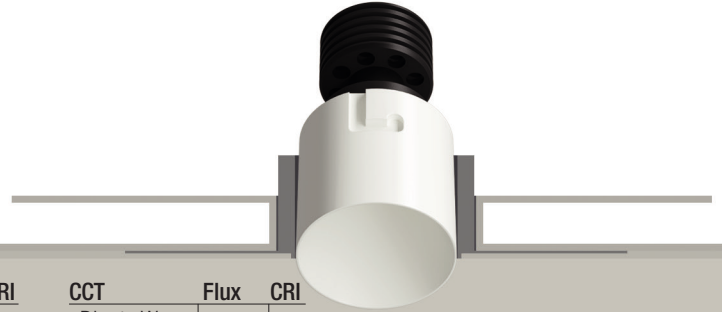
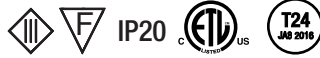
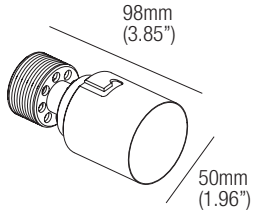


ZERO R10

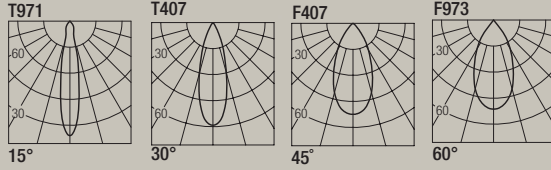
design: J. Allen

Supply current
Courant d'alimentation
Corriente de alimentación
500mA (V_i 18V)

Power
Puissance
Potencia
10W



Photometric diagrams



CCT	Flux	CRI	CCT	Flux	CRI
2700K	921 lm	98+	Dim to Warm 1800K-3000K	725 lm	95
3000K	977 lm	98+			
3500K	1016 lm	98+			
4000K	1055 lm	98+			

Code Construction

Construction du code produit
Construcción del código de producto

ZR1 | X | XX | 9 | X

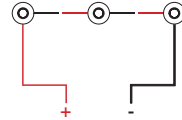
ZR1	X	Finishing Finitions Acabados	XX	Color Temp. Température couleur Temperatura de color	9	X	Beam angle Angle de faisceau Ángulo del haz
	1	White Blanc Blanco	27	2700K	1	1	15°
	5	Black Noir Negro	30	3000K	2	2	30°
	C	Custom Personnalisée Personalizado	35	3500K	3	3	45°
			40	4000K	4	4	60°
			DW	Dim Warm			
			CU	Custom Personnalisée Personalizado			

Drivers (Remote)

Alimentateurs
Alimentadores

Series wiring

Câblage en série
Cableado en serie



For other driver options -
including Lutron, Dali and DMX -
please consult factory

Static White	Phase / 0-10V (Dual Dimming)	
500mA	CCPR010-A Min. 1 Max. 1	CCPR040-A Min. 1 Max. 3
Dim to Warm	Phase / 0-10V (Dual Dimming)	
400mA	CCPR010-A Min. 1 Max. 1	CCPR040-A Min. 1 Max. 3
Turnable White	Please consult factory for driver options	
500mA		

Optionals - Accessoires - Accesorios

IC Housings

IC064R01060
Recessed Box for
Insulated Ceiling
with 60mm Hole

AT064R01060
Air Tight Recessed
Box for Insulated
Ceiling with
60mm Hole

