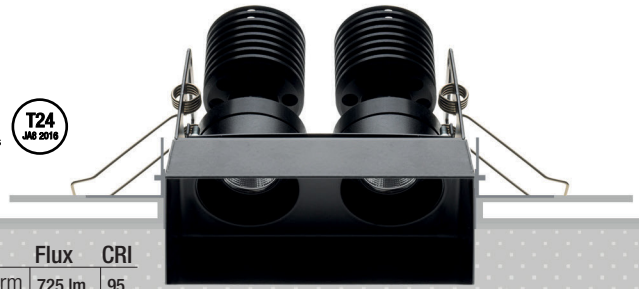
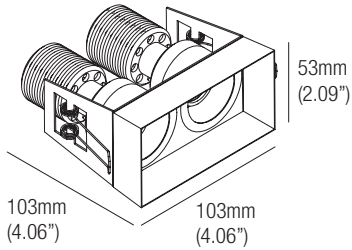


# MOON QX120

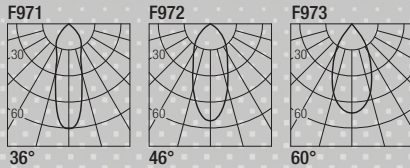
design: Lapo Grassellini

**Supply current**  
Courant d'alimentation  
Corriente de alimentación  
**500mA** (V<sub>f</sub> 2 x 18V)

**Power**  
Puissance  
Potencia  
**2 x 10W**



## Photometric diagrams



CCT	Flux <sub>v2</sub>	CRI	CCT	Flux	CRI
2700K	921 lm	98+	Dim to Warm 1800K-3000K	725 lm	95
3000K	977 lm	98+			
3500K	1016 lm	98+			
4000K	1055 lm	98+			

## Code Construction

Construction du code produit  
Construcción del código de producto

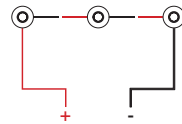
**MQX12 | X | XX | 9 | X**

<b>MQX12</b>	<b>X</b>	<b>Finishing</b> Finitions Acabados	<b>XX</b>	<b>Color Temp.</b> Température couleur Temperatura de color	<b>9</b>	<b>X</b>	<b>Beam angle</b> Angle de faisceau Ángulo del haz
		<b>1</b> White Blanc Blanco		<b>27</b> 2700K		<b>S</b> 36°	
		<b>5</b> Black Noir Negro		<b>30</b> 3000K		<b>M</b> 46°	
		<b>C</b> Custom Personnalisée Personalizado		<b>35</b> 3500K		<b>W</b> 60°	
				<b>40</b> 4000K			
				<b>DW</b> Dim Warm			
				<b>CU</b> Custom Personnalisée Personalizado			

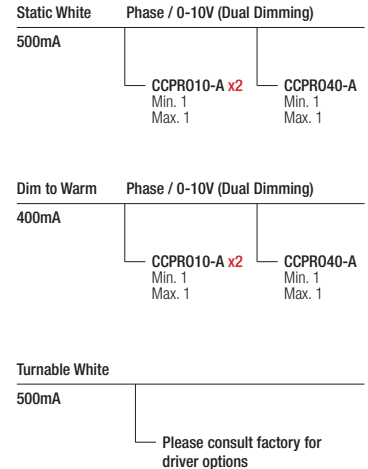
## Drivers (Remote)

Alimentateurs  
Alimentadores

**Series wiring**  
Câblage en série  
Cableado en serie



For other driver options -  
including Lutron, Dali and DMX -  
please consult factory



## Optionals - Accessoires - Accesorios

### IC Housings

**IC086X02108**  
Recessed Box for  
Insulated Ceiling  
with 108x57mm Hole

**AT086X02108**  
Air Tight Recessed  
Box for Insulated  
Ceiling with  
108x57mm Hole

