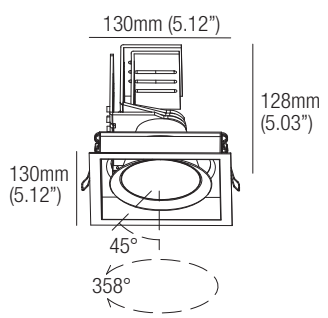


LOLLO 20

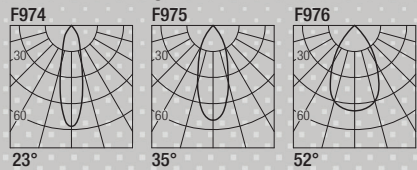
design: Lapo Grassellini

Supply current
Courant d'alimentation
Corriente de alimentación
500mA (V_f 36V)

Power
Puissance
Potencia
20W



Photometric diagrams



CCT	Flux	CRI
2700K	1659 lm	93
3000K	1752 lm	93
3500K	1873 lm	93
4000K	1925 lm	93

Code Construction

Construction du code produit
Construcción del código de producto

LL2 X,XX,9,X

LL2	X	Finishing Finitions Acabados	XX	Color Temp. Température couleur Temperatura de color	9	X	Beam angle Angle de faisceau Ángulo del haz
		1 White Blanc Blanco		27 2700K			S 23°
		5 Black Noir Negro		30 3000K			M 35°
		C Custom Personnalisée Personalizado		35 3500K			W 52°
				40 4000K			
				CU Custom Personnalisée Personalizado			

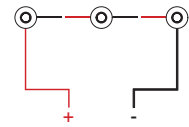
Drivers (Remote)

Alimentateurs
Alimentadores

Static White	Phase / 0-10V (Dual Dimming)
500mA	CCPRO40-A Min. 1 Max. 1

Series wiring

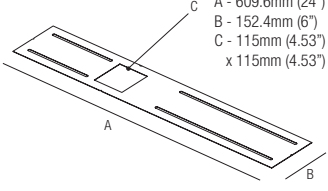
Câblage en série
Cableado en serie



For other driver options - including Lutron, Dali and DMX - please consult factory

MP-Q115

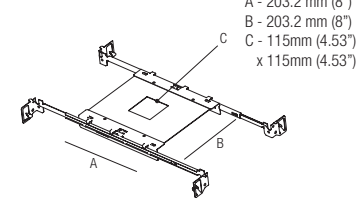
Mounting Plate with 115mm Hole



T-Bar Installation

Q02115

Mounting Plate with 115mm Hole



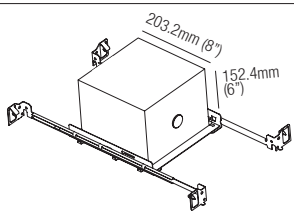
IC Housings

IC086Q02115

Recessed Box for Insulated Ceiling with 115mm Hole

AT086Q02115

Air Tight Recessed Box for Insulated Ceiling with 115mm Hole



Optionals - Accessoires - Accesorios

DCVI.B.2

24VDC Constant Voltage to Constant Current Converter 0-10V / Phase / Dim to Warm Compatible, 26W

