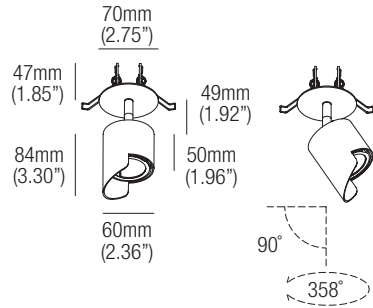


# LAD R10 WALL WASHER

design: Roberto Mantovani



**Supply current**  
Courant d'alimentation  
Corriente de alimentación

500mA (V<sub>i</sub> 18V)

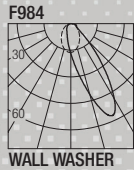
**Power**  
Pouissance  
Potencia

10W

**FLEXALIGHTING**  
NORTH AMERICA

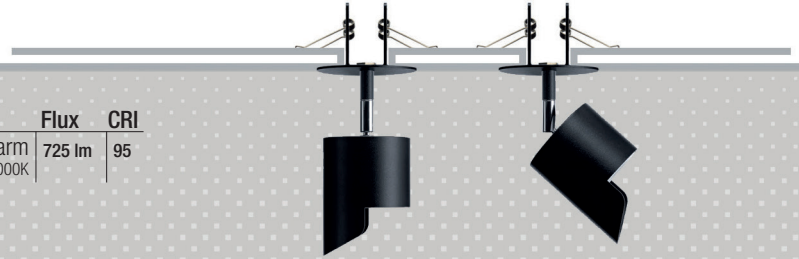


## Photometric diagrams



WALL WASHER

CCT	Flux	CRI	CCT	Flux	CRI
2400K	837 lm	95+	Dim to Warm 1800K-3000K	725 lm	95
2700K	921 lm	98+			
3000K	977 lm	98+			
3500K	1016 lm	98+			
4000K	1055 lm	98+			



## Code Construction

Construction du code produit  
Construcción del código de producto

LADR1 | X | XX | 9 |

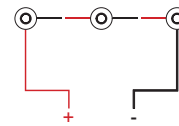
LADRW	X	Finishing Finitions Acabados	XX	Color Temp. Température couleur Temperatura de color	9
		<b>1</b> White Blanc Blanco		<b>24</b> 2400K	
		<b>5</b> Black Noir Negro		<b>27</b> 2700K	
		<b>C</b> Custom Personnalisée Personalizado		<b>30</b> 3000K	
				<b>35</b> 3500K	
				<b>40</b> 4000K	
				<b>DW</b> Dim Warm	
				<b>CU</b> Custom Personnalisée Personalizado	

## Drivers (Remote)

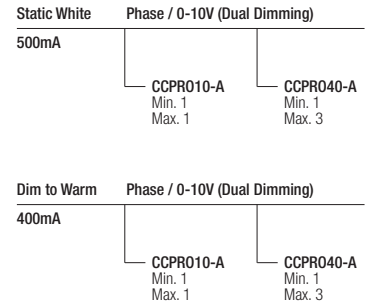
Alimentateurs  
Alimentadores

## Series wiring

Câblage en série  
Cableado en serie



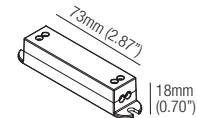
For other driver options -  
including Lutron, Dali and DMX -  
please consult factory



## Optionals - Accessoires - Accesorios

### DCVI.B.1

24VDC Constant Voltage to  
Constant Current Converter  
0-10V / Phase / Dim to Warm  
Compatible, 13W

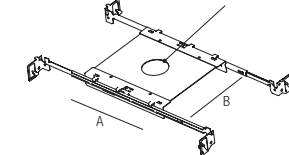


**Note:** versions with extended arm length are available upon request  
**Nota:** versioni con lunghezza del braccetto maggiorata disponibili su richiesta  
**Note:** versions avec longueur du bras majorée disponibles sur demande

## T-Bar Installation

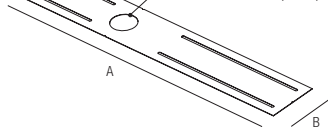
**RO1040**  
Mounting Plate  
with 40mm Hole

A - 152.4mm (6")  
B - 152.4mm (6")  
C - 40mm (1.57")



**MP-R040**  
Mounting Plate  
with 40mm Hole

A - 609.6mm (24")  
B - 101.6mm (4")  
C - 40mm (1.57")



## IC Housings

**IC064R01040**  
Recessed Box for  
Insulated Ceiling  
with 40mm Hole

**AT064R01040**  
Air Tight Recessed  
Box for Insulated  
Ceiling with  
40mm Hole

