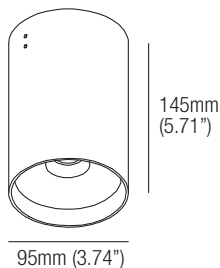


# KOINE 10

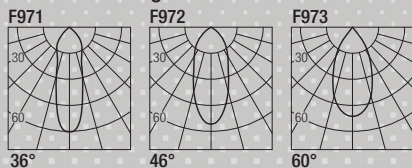
design: Roberto Mantovani

**Supply current**  
 Courant d'alimentation  
 Corriente de alimentación  
**500mA (V<sub>f</sub> 18V) (CC)**

**Power**  
 Pouissance  
 Potencia  
**10W**



**Photometric diagrams**



CCT	Flux	CRI	CCT	Flux	CRI
2400K	837 lm	95+	Dim to Warm 1800K-3000K	725 lm	95
2700K	921 lm	98+	Tunable White 2700K-5000K	952 lm	95
3000K	977 lm	98+			
3500K	1016 lm	98+			
4000K	1055 lm	98+			



**Code Construction**

Construction du code produit  
 Construcción del código de producto

**KH | X | X | XX | CC**

<b>KH</b>	<b>X</b>	<b>X</b>	<b>XX</b>	<b>CC</b>
<b>Finishing</b> Finitions Acabados	<b>Beam angle</b> Angle de faisceau Ángulo del haz	<b>Color Temp.</b> Température couleur Temperatura de color		
1 White Blanc Blanco	S 36°	24 2400K		
5 Black Noir Negro	M 46°	27 2700K		
C Custom Personnalisée Personalizado	W 60°	30 3000K		
		35 3500K		
		40 4000K		
		DW Dim Warm		
		TW Tunable White		
		CU Custom Personnalisée Personalizado		

**Drivers (On-Board)**

Alimentateurs  
 Alimentadores

**120VAC On-Board Driver**

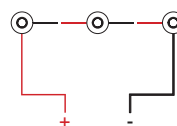
Includes 5" Canopy  
 Phase or 0-10V Dimming

**Drivers (Remote)**

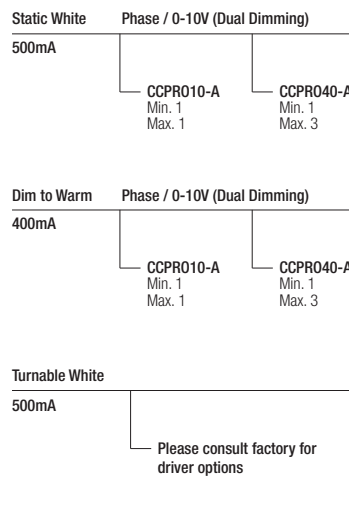
Alimentateurs  
 Alimentadores

**CC - Series wiring**

Câblage en série  
 Cableado en serie



For other driver options -  
 including Lutron, Dali and DMX -  
 please consult factory



**Optionals - Accessoires - Accesorios**

**DCVI.B.1**

24VDC Constant Voltage to  
 Constant Current Converter  
 0-10V / Phase / Dim to Warm  
 Compatible, 13W

