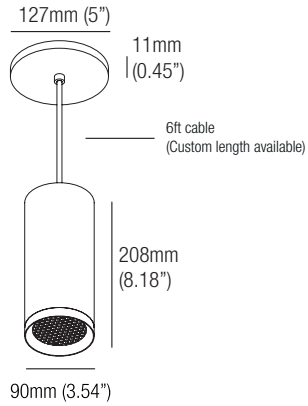


BULL PRECISION PENDANT

design: Lapo Grassellini



Supply current
Courant d'alimentation
Corriente de alimentación

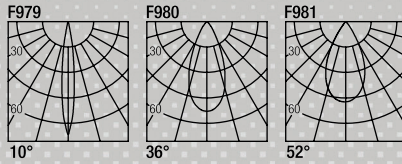
120VAC
120VAC
120VAC

Power
Pouissance
Potencia

10W
20W
30W



Photometric diagrams



10W

CCT	Flux	CRI
2400K	837 lm	95+
2700K	921 lm	98+
3000K	977 lm	98+
3500K	1016 lm	98+
4000K	1055 lm	98+
Dim to Warm 1800K-3000K	725 lm	95

20W

CCT	Flux	CRI
2700K	1659 lm	93
3000K	1752 lm	93
3500K	1873 lm	93
4000K	1925 lm	93

30W

CCT	Flux	CRI
2700K	2187 lm	98+
3000K	2310 lm	98+
3500K	2469 lm	98+
4000K	2538 lm	98+

Code Construction

Construction du code produit
Construcción del código de producto

BPP | X | X | XX | 9 | X |

BPP	X	Power	X	Finishing	XX	Color Temp.	9	X	Beam angle
		Pouissance Potencia		Finitions Acabados		Température couleur Temperatura de color			Angle de faisceau Ángulo del haz
	1	10W	1	White Blanc Blanco	24	2400K		S	10°
	2	20W	5	Black Noir Negro	27	2700K		M	36°
	3	30W	C	Custom Personnalisée Personalizado	30	3000K		W	52°
					35	3500K			
					40	4000K			
					DW	Dim Warm			
					CU	Custom Personnalisée Personalizado			

* 10W Version Only

BUX2NA - Included With Assembly

Low luminance louvre
Filtre basse luminance
Filtro de baja luminancia



Drivers
Alimentateurs
Alimentadores

Integral
ELV or 0-10V (Dual Dimming)
- Remote located driver option available