

# CCPRO40A-700

Constant Current LED Driver, 0-10V and Phase Dim, 40W

IP20 Class 2 cULus LISTED CE



### Electrical

<b>Input</b>	100-277VAC, 50/60 Hz
<b>Power Factor</b>	0.95
<b>Output</b>	3-60VDC Constant Current, Class 2
<b>Drive Current</b>	700mA
<b>Max. LED Power Output</b>	40W
<b>Certifications</b>	Class P, SELV, Type HL, cULus

### Control

<b>No. of Channels</b>	1
<b>Control Protocols</b>	Phase, 0-10V
<b>Dimming Range</b>	100% - 1%
<b>Dimming Curve</b>	Linear

### Mechanical

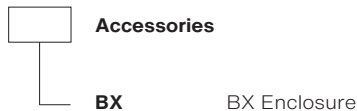
<b>Housing Materials</b>	PMMA, Polycarbonate
<b>Fixing Type</b>	Screw Down
<b>Connection Type</b>	12-22AWG Screw Terminal Block

### Environmental

<b>Ingress Protection</b>	IP20
<b>Operating Temperature</b>	-20°C ~ +45°C
<b>Lifetime</b>	50,000 Hr
<b>Integrated Protection</b>	Thermal Cutoff, Short Circuit, Overload, and Reverse Polarity

### Code Construction

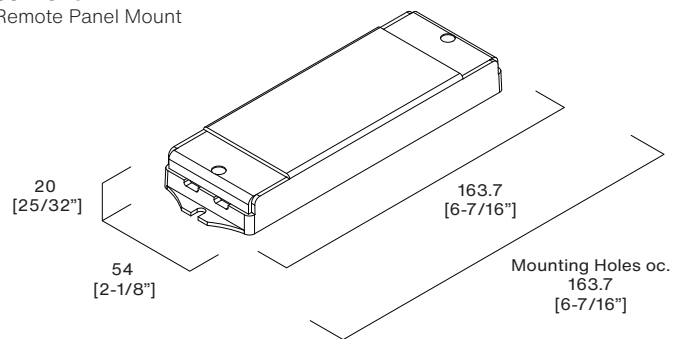
CCPRO40A



### Dimensions

#### CCPRO40A

Remote Panel Mount



#### CCPRO40ABX

BX Enclosure  
22.25 [0-7/8] Knockouts

