

# CCPRO40A-500

Constant Current LED Driver, 0-10V and Phase Dim, 40W

IP20 Class 2 cULus LISTED CE



**Electrical**

**Input** 100-277VAC, 50/60 Hz  
**Power Factor** 0.95  
**Output** 3-60VDC Constant Current, Class 2  
**Drive Current** 500mA  
**Max. LED Power Output** 40W  
**Certifications** Class P, SELV, Type HL, cULus

**Control**

**No. of Channels** 1  
**Control Protocols** Phase, 0-10V  
**Dimming Range** 100% - 1%  
**Dimming Curve** Linear

**Mechanical**

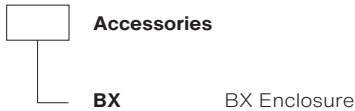
**Housing Materials** PMMA, Polycarbonate  
**Fixing Type** Screw Down  
**Connection Type** 12-22AWG Screw Terminal Block

**Environmental**

**Ingress Protection** IP20  
**Operating Temperature** -20°C ~ +45°C  
**Lifetime** 50,000 Hr  
**Integrated Protection** Thermal Cutoff, Short Circuit, Overload, and Reverse Polarity

**Code Construction**

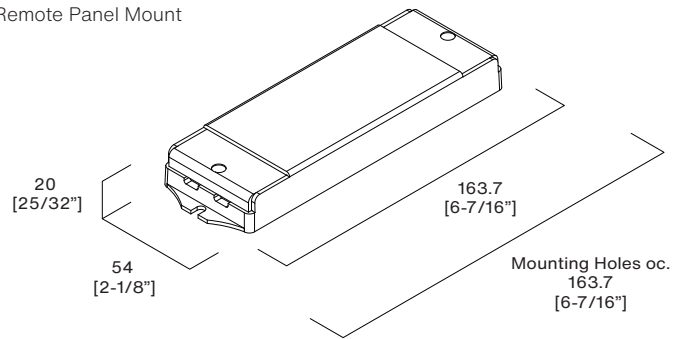
CCPRO40A



**Dimensions**

**CCPRO40A**

Remote Panel Mount



**CCPRO40ABX**

BX Enclosure  
 22.25 [0-7/8"] Knockouts

