

CCPRO40A-400

Constant Current LED Driver, 0-10V and Phase Dim, 40W

IP20 Class 2 cULus LISTED CE



Electrical

Input	100-277VAC, 50/60 Hz
Power Factor	0.95
Output	3-60VDC Constant Current, Class 2
Drive Current	400mA
Max. LED Power Output	40W
Certifications	Class P, SELV, Type HL, cULus

Control

No. of Channels	1
Control Protocols	Phase, 0-10V
Dimming Range	100% - 1%
Dimming Curve	Linear

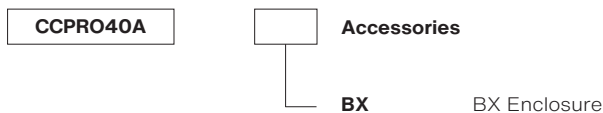
Mechanical

Housing Materials	PMMA, Polycarbonate
Fixing Type	Screw Down
Connection Type	12-22AWG Screw Terminal Block

Environmental

Ingress Protection	IP20
Operating Temperature	-20°C ~ +45°C
Lifetime	50,000 Hr
Integrated Protection	Thermal Cutoff, Short Circuit, Overload, and Reverse Polarity

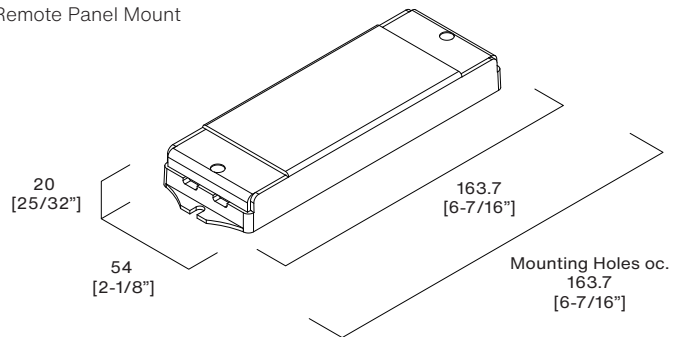
Code Construction



Dimensions

CCPRO40A

Remote Panel Mount



CCPRO40ABX

BX Enclosure
22.25 [0-7/8"] Knockouts

