

CCPRO40A-250

Constant Current LED Driver, 0-10V and Phase Dim, 40W

IP20 Class 2 cULus LISTED CE



Electrical

| | |
|------------------------------|-----------------------------------|
| Input | 100-277VAC, 50/60 Hz |
| Power Factor | 0.95 |
| Output | 3-60VDC Constant Current, Class 2 |
| Drive Current | 250mA |
| Max. LED Power Output | 40W |
| Certifications | Class P, SELV, Type HL, cULus |

Control

| | |
|--------------------------|--------------|
| No. of Channels | 1 |
| Control Protocols | Phase, 0-10V |
| Dimming Range | 100% - 1% |
| Dimming Curve | Linear |

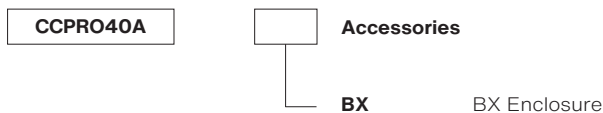
Mechanical

| | |
|--------------------------|-------------------------------|
| Housing Materials | PMMA, Polycarbonate |
| Fixing Type | Screw Down |
| Connection Type | 12-22AWG Screw Terminal Block |

Environmental

| | |
|------------------------------|---|
| Ingress Protection | IP20 |
| Operating Temperature | -20°C ~ +45°C |
| Lifetime | 50,000 Hr |
| Integrated Protection | Thermal Cutoff, Short Circuit, Overload, and Reverse Polarity |

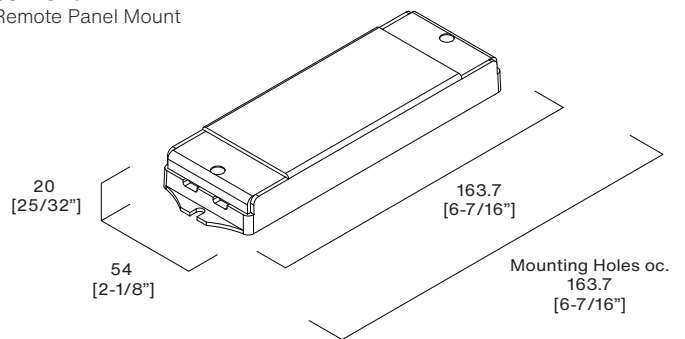
Code Construction



Dimensions

CCPRO40A

Remote Panel Mount



CCPRO40ABX

BX Enclosure
22.25 [0-7/8"] Knockouts

