

CCPRO10A-400

Constant Current LED Driver, 0-10V and Phase Dim, 10W

IP20 Class 2 cULus LISTED CE



Electrical

Input 100-277VAC, 50/60 Hz
Power Factor 0.95
Output 3VDC Constant Current, Class 2
Drive Current Max. LED 400mA
Power Output 10W
Certifications Class P, SELV, Type HL, cULus

Control

No. of Channels 1
Control Protocols Phase, 0-10V
Dimming Range 100% - 1%
Dimming Curve Linear

Mechanical

Housing Materials PMMA, Polycarbonate
Fixing Type Screw Down
Connection Type 12-22AWG Screw Terminal Block

Environmental

Ingress Protection IP20
Operating Temperature -20°C ~ +45°C
Lifetime 50,000 Hr
Integrated Protection Thermal Cutoff, Short Circuit, Overload, and Reverse Polarity

Code Construction

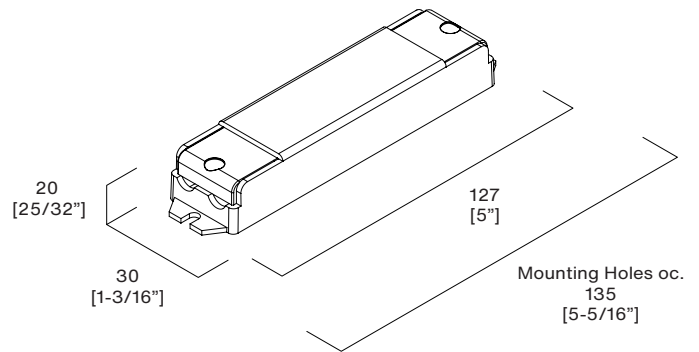
CCPRO10A



Dimensions

CCPRO10A

Remote Panel Mount



CCPRO10ABX

BX Enclosure
 22.25 [0-7/8"] Knockouts

